

# NINGBO TIANBO GANGLIAN ELECTRONICS.,LTD

## TRS SPECIFICATION

FILE NUMBER : T810S-A010A

DATE : 2004-6/25

### CONTACT DATA

Contact Form		1A/1C		
Contact Material		Silver Alloy		
Load		Resistive load(COS 1) Cut 14VDC		
Contact Ratings	Load	From A	From C(NC/NO)	
			NO	NC
	Max.Continuous Current	30A	30A	25A
	Max. Break Current	30A	30A	25A
	Max. Make Current	100A	100A	15A
	Overload Current	50A 5sec 87.5A 0.5sec 150A 0.1sec		
Minimum load		0.5A 12VDC		
Max Switching Power		35~320W (Voltage dependent)		
Contact Resistance		100m Max at 6VDC 1A		
Life Expectancy Electrical		100,000at20A Operations(at6Operations/minute)		
Life Expectancy Mechanical		10,000,000 Operations(at300Operations/minute)		

### GENERAL DATA

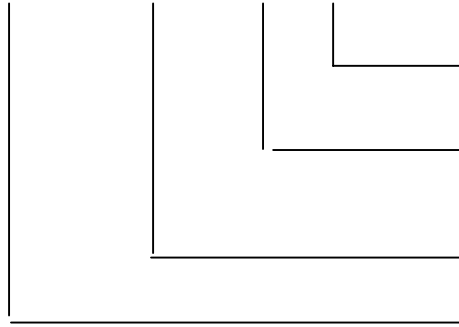
Insulation Resistance		100M Min at 500VDC		
Between Contacts and coil		500VAC(50/60Hz for one minute)		
Operate Time		3ms		
Release Time		1.5ms		
Temperature Range	Storage	-40 to+155		
	Operating	-40 to+105		
Shock Resistance		6 msec up to 30g (No change in the switching state>10 μ sec)		
Vibration Resistance		10-500Hz, 6g(No change in the switching state>10 μ sec)		
Humidity		20-50%		
Weigh		Approx 4g		
Safety Standard				

### COIL DATA

Nominal Voltage (VDC)	Coil Resistance at20±10%( )	Rated current mA	Max Operate Voltage VDC	Min Release Voltage VDC	Max Applicable Voltage VDC	
					At 105	At23
12	254	47.2	6.9	1.2	16.5	27.2

## ORDERING CODE

TRS—12VDC—S—Z



Z: From C

H: From A

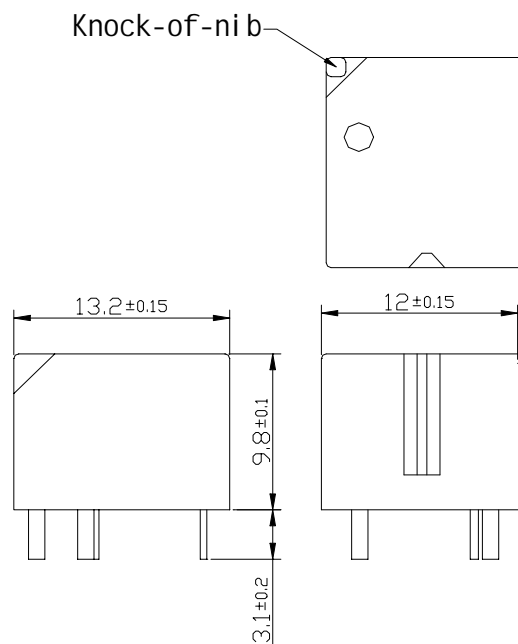
Sealed K:OPEN TYPE

Coil Nominal Voltage

Relay Model

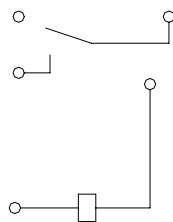
## OVERALL AND MOUNTING DIMENSIONS

### Outline Dimensions-Single Relay

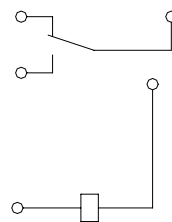


### Wiring Diagrams-Single Relay(Bottom Views)

1 Form A



1 Form C



### Suggested PC Board Layout-Single Relay(Bottom View)

